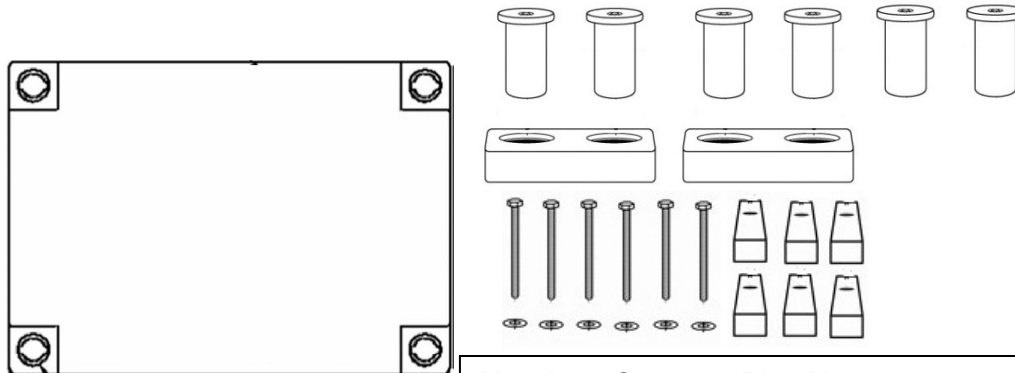


Kayak Dock With Wing Extension And XL Front Extension Installation

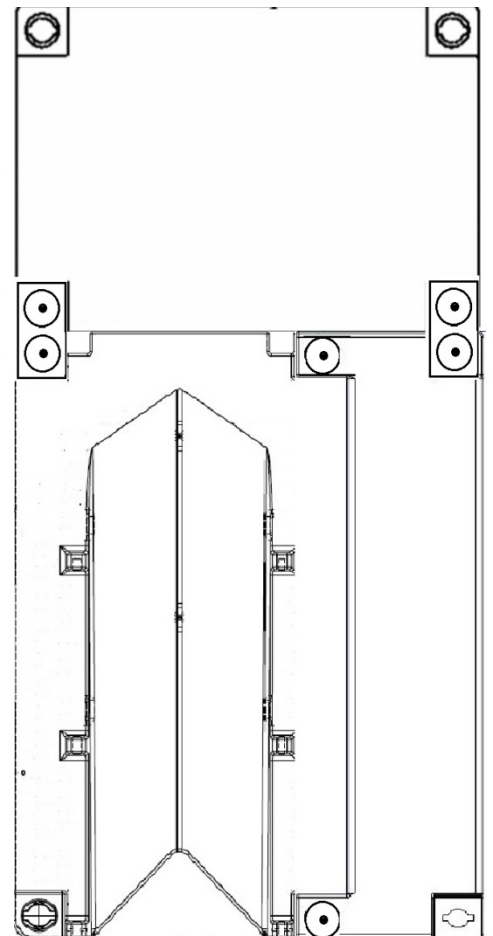
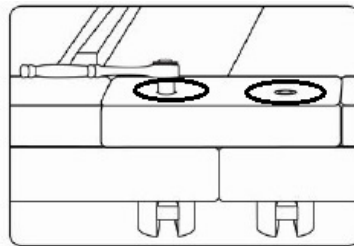
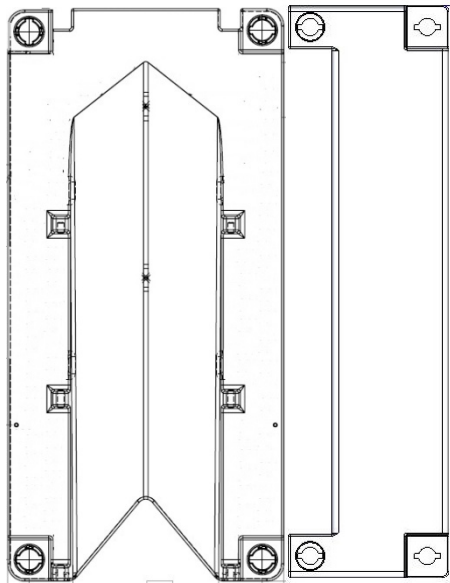
Includes the following:

- Kayak Dock & Wing Extension & XL Front Extension
- Two Polythene Box Links kits
- Six Polythene Structure Plugs with 10" Hex bolts, Washers, and UHMW Blocks

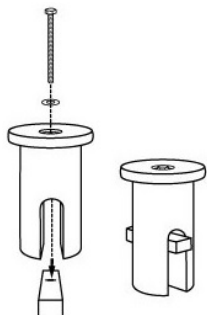


Use the 2 Structure Plug kits to connect the Wing Extension to the Kayak Dock. Then connect the linked Kayak Dock and Wing Extension pieces together to the XL Front Extension with the 2 sets of Link Plug Kits and tighten.

* 3/4" or 19mm socket for socket wrench to tighten UHMW blocks



Structure Plug Kit



Link Plug Kit

