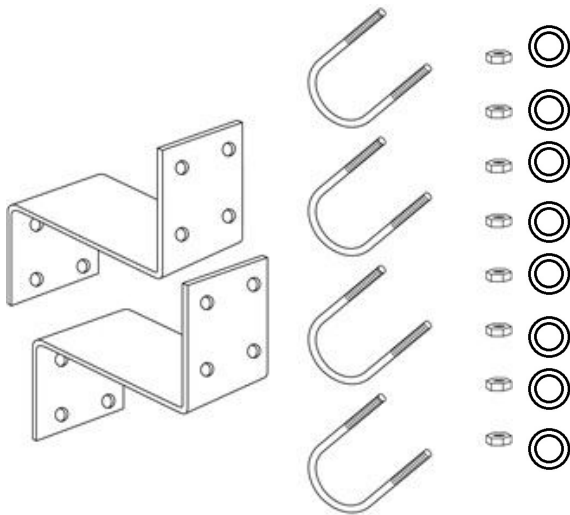


# Z-Bracket Kit

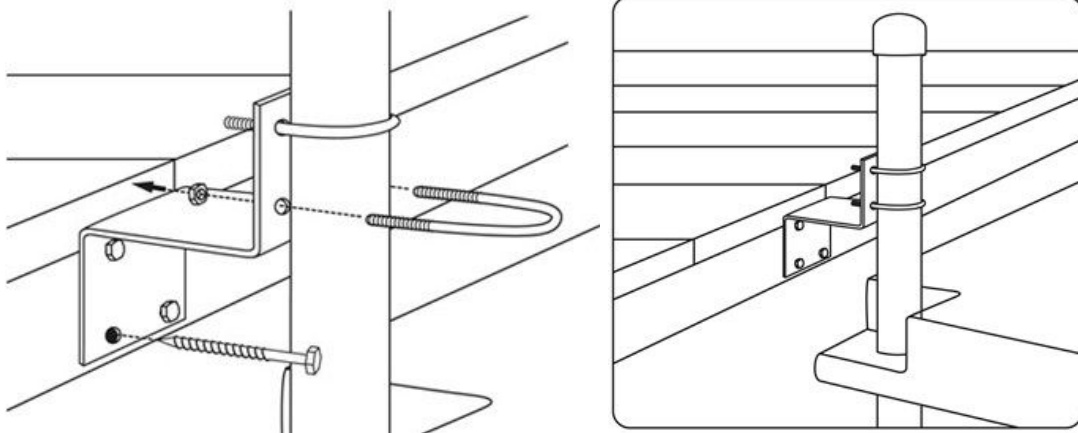


## Includes the following:

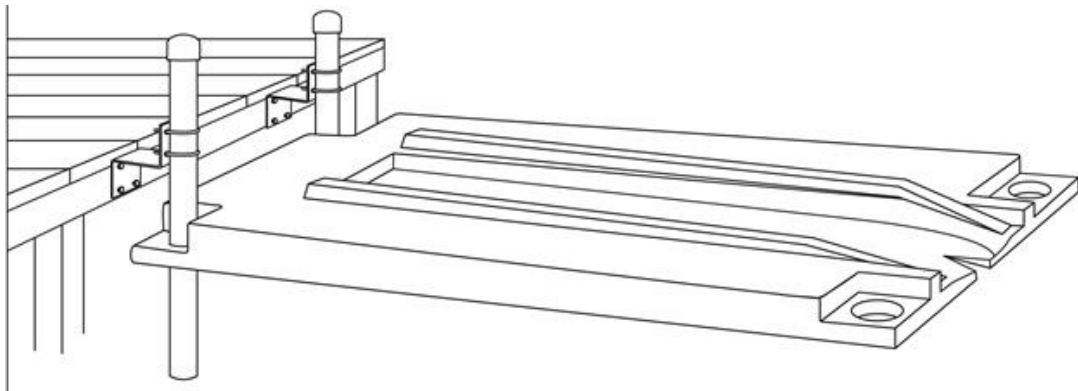
Z-Bracket Kit includes:  
Two HDG "Z" Brackets  
Four U Bolts  
Eight Washers & Nuts

NOTE !! "Z" Bracket Kit DOES NOT INCLUDE 4" PVC PIPE.  
4" PVC Pipe may be purchased at your local hardware store.

Z Bracket Kit needs to be installed above flood level



Recommended hardware: four 1/2 lag screws and four 1/2 washers that are Hot Dipped Galvanized



4" PVC Pipe needs to be AT LEAST 18" Below The Watercraft Float